

**FOX TOWNSHIP SEWER AUTHORITY
ELK COUNTY, PENNSYLVANIA**

**RULES AND REGULATIONS FOR
CONNECTIONS TO THE SANITARY SEWER SYSTEM**

1. An application for connection to the public sanitary sewer system shall be made by all persons using the permit form furnished by the Authority. The Authority may waive the application for Authority sponsored projects.
2. All information requested on said form shall be furnished by the applicant, including the character and use of each structure located upon the property.
3. The Authority shall establish permit, inspection, connection and tapping fees and issue a permit for each connection to the system. The inspection/permit fee, connection fee and tapping fee shall be paid in full before the permit is granted. No work shall commence before issuance of the connection permit
4. No connection to the public sanitary sewer system shall serve more than one house, building or structure. Separate connections and corresponding inspection, connection and tapping fees will be required for each structure.
5. Connection to sanitary sewers shall be completed within ninety (90) calendar days after receipt of notice of required connection from the Authority.
6. All connections to the sanitary sewers shall be subject to certain restrictions as to unacceptable sanitary sewage which are set forth in the Authority Sewer Use Ordinance and Industrial Waste Regulations. The following Rules and Regulations specifically are applicable to non-residential users of the Authority's collection and treatment system and supplement any requirements contained in the Authority's Industrial Waste Ordinance:
 - A. Any user desiring to discharge non-domestic wastewater to the sanitary sewer system shall install a suitable control manhole or manholes on each connecting sewer or sewers to allow for, observation, sampling, and measurement of the flow of non-domestic wastewater. At the discretion of the Authority, the user must plumb his facility to separate domestic and non-domestic wastewater. Such manhole or manholes must be accessible to the Authority and shall be located to allow for safe entry by Authority personnel. The manhole or manholes shall be installed by the user at the user's sole expense and shall be maintained by the user and remain accessible to the Authority at all times. The manhole shall be constructed of pre-cast concrete component sections and shall comply with the requirements of the Authority, Pennsylvania Department of Environmental Protection, and other standards as applicable.
 - B. Other non-residential user regulations may be added from time to time by Authority Resolution.
7. The Inspector, designated by the Authority, shall be given at least 24-hour notice before any connection is made to the system so that the Inspector can be present to inspect the

building sewer installation. The Inspector shall signify his approval of the building sewer installation by endorsing his name and the date of approval on the aforementioned connection permit. The Inspector shall be permitted to enter upon all properties receiving sewer service for the purpose of inspection, observation, measurement, sampling, and testing.

8. At the time of inspection of the building sewer connection, the owner or owners of properties shall permit the Inspector full and complete access to all sanitary and drainage arrangements and facilities in each building and on all parts of the property. No building sewer line shall be covered over, or in any manner concealed, until after it is inspected and approved by said Inspector. The Authority Inspector may, in his sole discretion, require water or air testing on any lateral as per Fox Code at §§ 82-78 through 82-80, inclusive. No additional charges will be made by the Authority for one (1) additional inspection necessitated by changes in the building sewer installation.
9. It is the intention of these rules and regulations that the entire connection be inspected at one time; however, if the property owner feels that special conditions warrant more than one inspection, he may request the same subject to such additional inspection fees as the Authority shall determine.
10. The Authority may require, at its sole discretion, a bond payable to the Authority in an amount determined by the Authority to assure that all resolutions, ordinances, rules, and regulations adopted by the Authority to govern the making of sewer connections will be observed; and that the Authority will be indemnified against damages caused by said construction; and that applicable fees for said connections will be paid.
11. All work shall be done by a competent plumber whose qualifications have been approved by the Authority.
12. All pipe installed shall be either:
 - A. PVC meeting ASTM 3034 specification equivalent to SDR-35 with push-on joint using rubber ring gasket
 - B. Cast iron pipe with gasketed push-on joint or mechanical joint meeting AWWA C-108 specifications.
13. All pipe installed shall be at least 4 inches in diameter. Each section of pipe shall be stamped with the manufacturer's certification. Where connections between different types of pipe are required, proper transition fittings shall be utilized, and in no case will concrete encasement be permitted in lieu of fittings.
14. The sewer pipe shall be bedded in 4 inches of AASHTO No.8 stone.
15. All sewer pipes shall be installed in strict accord with the manufacturer's recommendations. The sewer pipe shall be installed to prevent infiltration. Infiltration entering the building sewer shall not exceed 200 gpd per inch mile of pipe (15 gpd for 100' of 4" pipe). Use of the sewer pipe to remove ground water in trench is prohibited.

16. All pipe shall be installed with a minimum slope of 1/8 inch per foot and a minimum cover of three and one-half feet (3 ½ ‘) unless otherwise approved by the Authority. All pipes shall be laid to a straight alignment to the public sanitary sewer where possible. The pipe shall be laid to an even grade to the point of connection or point where a vertical transition occurs, said vertical transition to consist of 45 degree fittings no less than 5 feet apart. The inside of every branch sewer connection, after it is laid, shall be left smooth and clean throughout its entire length. All pipes shall be laid with full and even bearing and no block supports will be allowed. Bell holes shall be dug to allow sufficient space to properly make each joint. Backfill shall be tamped uniformly around the pipe. Rock or stones larger than 2 inch shall not be placed in the backfill within 2 feet of the pipe. The ends of all pipes not immediately connected shall be closed with an end cap. Existing sewer lines not being utilized shall be plugged with concrete or capped.
17. A horizontal trap with vent and cover shall be installed a maximum of five feet from the building. The trap shall be constructed per the attached detail. A "Y" shall be installed ahead of the horizontal trap for cleanout purposes. The vent and cleanout shall be constructed of PVC or cast iron. The installation of a back flow valve is strongly recommended.
18. In the construction of house or building connections of more than 150 feet in length, cleanouts shall be installed at 150-foot intervals.
19. Pipe bend fittings shall not be installed unless required to construct the line around an existing structure or obstacle. Fittings using 90 degree bends shall not be permitted. The maximum degree of fitting shall be 45 and all fittings shall be spaced at least 5 ft. apart. Where more than 45 degrees in bend fittings are required, a cleanout shall be installed within 5 ft. of the bend(s). Cleanouts shall be constructed per the attached Exhibit "A" detail.
20. Fernco or other type rubber sleeve fittings shall not be used except if required to connect the existing building sewer to the new lateral line.
21. A State Highway Occupancy permit or its Township equivalent, as applicable, shall be obtained wherever any excavating is to be performed within the limits of State or Township controlled right-of-way. All permits must be returned to the Authority signed by the Contractor completing the connection.
22. The Authority' shall have the right at any time to make inspection to ensure that any connection to the public sanitary sewer system receives only wastewater and is in conformance with current Authority resolutions, rules, and regulations.
23. Maintenance and repair of all building sewers to the street right-of-way or mainline sewer easement shall be the responsibility of the property owner.
24. Old building sewers may be used to connect existing buildings to the sewer system only when the Authority's representative determines that the old sewer has the required trap and cleanout facilities and is in acceptable condition. Under no circumstances will connections from septic tanks or similar individual treatment systems be discharged into the sanitary sewer. Only that portion of existing sewers, as determined acceptable, which precedes the septic tank, may be used for connection purposes. Upon a property owner's

connection to the Authority's sewer system the abandonment of all existing septic tanks, leach fields, and private individual treatment facilities is required and is the property owner's responsibility. If the existing building sewer is not acceptable under this section, the owner of the property shall install a new building sewer to comply with these rules and regulations. All existing septic tanks should be pumped after abandonment. Septic tanks should be covered with earth fill or otherwise secured to prevent access or entry.

25. All wastewater including laundry waste shall be connected to the building sewer. Extraneous sources of water such as foundation drains, sump pumps, roof drains, etc. shall not be connected and are strictly prohibited from being discharged to the sanitary sewer system.
26. Where necessary, sump pumps may be used to pump wastewater into the building sewer provided that extraneous water sources such as foundation drains are disconnected from the sump pump and the sump pump receives only wastewater.

EFFECTIVE DATE: April 23, 2003

SEPTIC SYSTEM ABANDONMENT

A recommendation of the Fox Township Sewer Authority

When public sewer service becomes available, a homeowner will find it necessary to abandon an existing septic system. Fox Township recommends that the following acceptable methods be followed after connection to the public sewer is done.

1) Tanks:

Fox Township requires that all tanks, including the pump tank in sandmound systems, be pumped empty and filled with soil or other material. The tank can also be crushed and completely removed.

This requirement is due to safety concerns. There have been many cases, even locally, of old tanks or cesspools collapsing and trapping people.

2) In-Ground and Elevated Sandmounds:

Many believe that the used materials from these systems are hazardous wastes. This is not the case.

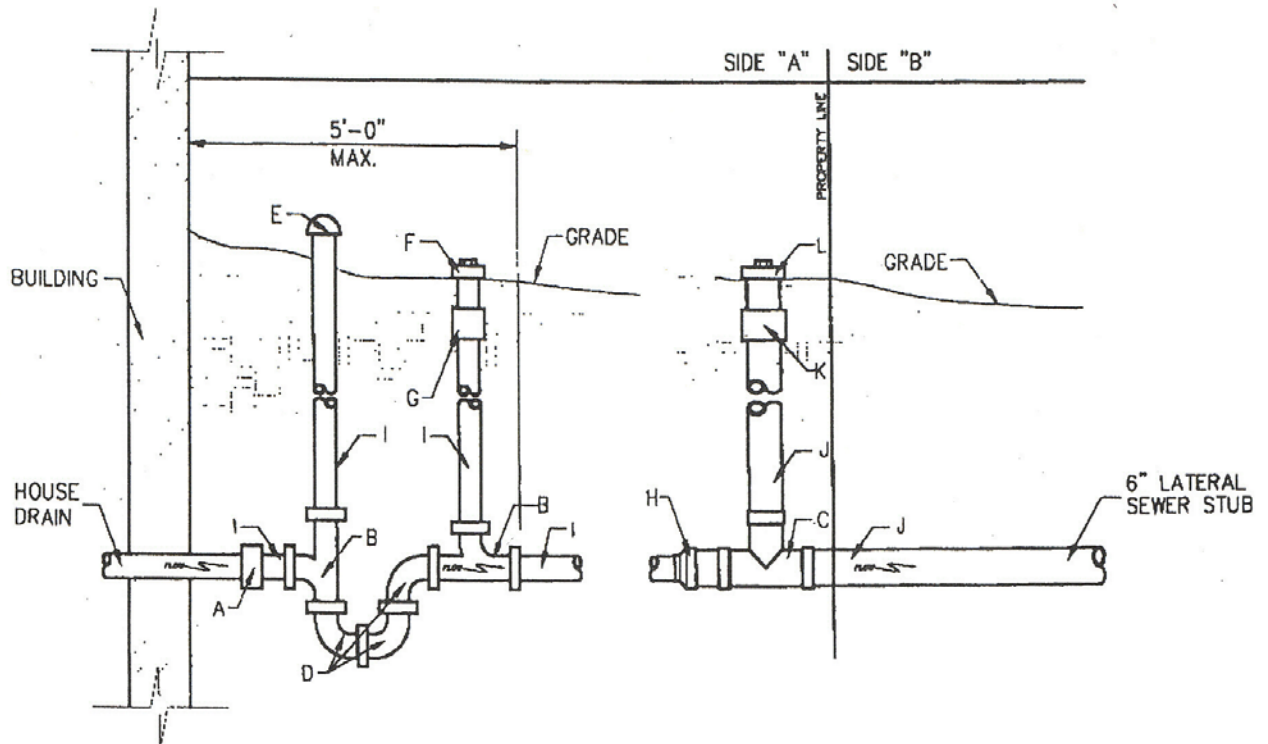
While the existing septic leech field or sandmound can be left in place, many homeowners having a sandmound wish to remove the unsightly mound from their yard. The berm material from around the sandmound is an acceptable fill material. The gravel aggregate makes an acceptable road or driveway base, and the sand can be used as fill or as an excellent soil enhancer for yard or garden.

These materials should be spread and allowed to air dry and then limed to prevent odors.

Any "open-end" or "overflow" pipes originating from the septic system must be covered or completely removed.

Anyone having questions concerning the abandonment of any septic system is ask to contact the Fox Township Sewage Enforcement Officer, Rob Singer at 885-8450 et. 3.

The septic tank abandonment procedure is strongly recommended but not mandatory. If the property owner chooses not to follow the recommendation and future problems occur, the Fox Township Sewer Authority is not responsible.



LATERAL INSTALLATION DETAIL

$\frac{1}{2}'' = 1' - 0''$

A	4" FERNCO COUPLING	1 ea.	H	6" X 4" SDR 35 COUPLING	1 ea.
B	4" TEE/WYE	2 ea.	I	4" PIPE	LENGTH AS REQUIRED
C	6" TEE	1 ea.	J	6" PIPE	LENGTH AS REQUIRED
D	4" 90°	3 ea.	K	6" THREAD ADAPTER	1 ea.
E	4" VENT CAP	1 ea.	L	6" THREADED CAP	1 ea.
F	4" THREADED CAP	1 ea.			
G	4" THREADED ADAPTER	1 ea.			